

DATASHEET - PB 150 Ex MANUAL PUSH BUTTON

AUDIBLE & VISUAL SIGNALLING EQUIPMENT



DESCRIPTION - PB 150 Ex MANUAL PUSH BUTTON

This manual call point «push button» is certified for use in Atex/explosive atmosphere, zone 1 & 2 for gas and zone 21 & 22 for dust. It is dedicated for Oil & Gas, chemical, petrochemical, pharmacy industries, marine and Offshore applications. It's designed for corrosive environments and hazardous area.

The apparatus is compatible with PLC, ESD, DCS systems via output 4-20mA.

There are two versions: push button and push button with key to release.

The visualisation functions, line detection and lift flap protection are optional.

Housing is moulded Glass-Reinforced Polyester (GRP), dyed in the mass and protected by a paint UV resistant.

A complete range of accessories is available to customize a products. (see accessories annex)



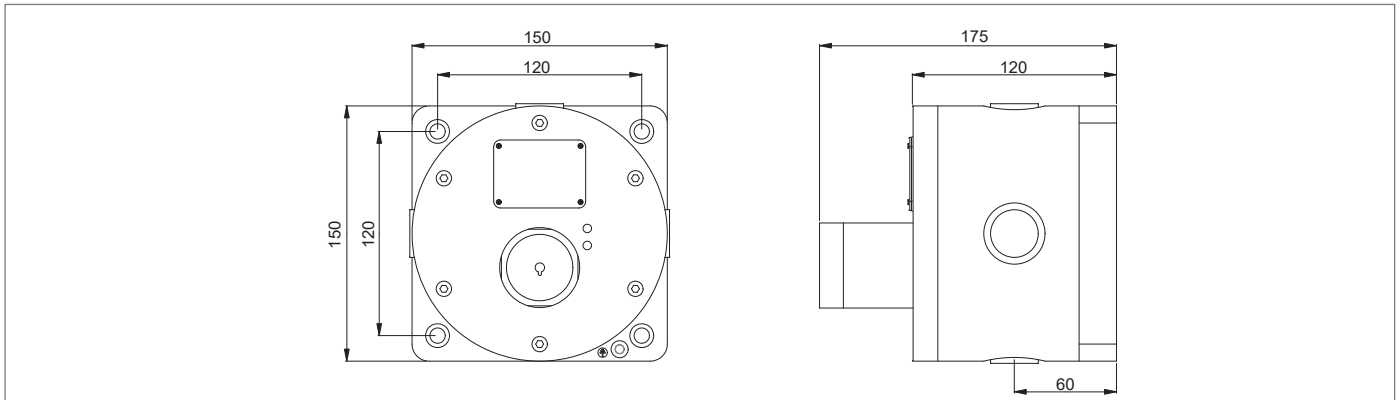
- zone 1 & 2
- zone 21 & 22

PRODUCT CODE CONFIGURATOR

SWITCH	DUTY LABEL	TAG LABEL	RESET	LED INDICATOR	FEATURES	CABLE ENTRY	FINISH COLOUR
SINGLE = 1 X C/O	Y = YES	Y = YES	S = SELF RESET	■ ■ L = RED & GREEN	F = LIFT FLAP	A = M20	■ RD = RED
				■ R = RED	R = RESISTOR	B = M25	■ YW = YELLOW
DOUBLE = 2 X C/O	N = NO	N = NO	K = KEY RESET	■ G = GREEN	D = DIODE	C = 1/2" NPT	■ BU = BLUE
				N = NO LED	N = NO FEATURES	D = 3/4" NPT	■ BL = BLACK <input type="checkbox"/> OR = OTHER ON REQUEST

ADD THE CODES RELATED TO THE FEATURES REQUIRED TO PB 150:

--	--	--	--	--	--	--




03.12.2015 | 16DSPB150 | page 1/2

DATASHEET - PB 150 Ex MANUAL PUSH BUTTON

AUDIBLE & VISUAL SIGNALLING EQUIPMENT

TECHNICAL DATA

MATERIAL	• ENCLOSURE: Glass-Reinforced Polyester (GRP)
COLOUR	• RED : RAL 3001 - YELLOW** : RAL1018 - BLUE** : RAL5005 - BLACK** : RAL9005 - BLACK WITH YELLOW ZEBRA*** : RAL9004+RAL1018
INGRESS PROTECTION	• IP66/67
AMBIENT TEMPERATURE FOR OPERATION	• T6 = - 40°C ~ + 55°C , T5 = - 40°C ~ + 60°C, T4 = - 40°C ~ + 70°C
CERTIFICATION	• Nemko 13 ATEX 1564X, IECEX NEM 13.0034X
EX CODE	•  II 2 GD Ex d IIC T6 Gb, Ex tb IIIC T85°C,
STANDARD	• EN / IEC 60079-0, EN / IEC 60079-1, EN / IEC 60079-31
ATEX AREA ZONE	• Gas zone: 1 & 2 Dust zone: 21 & 22
AMBIENT HUMIDITY*	• until 95% with ice if flap option
RATED IMPULSE WITHSTAND VOLTAGE	• 1kV following IEC 61000-4-5
CONTACT TYPE	• 1x C/O or 2x C/O
COMMAND TYPE UNIT	• self reset or key push pull
CONVENTIONAL THERMAL COURANT (Ith)	• AC 125/250 V (50/60Hz) = 11 A*** ; 30V DC = 6A***; 125 VDC = 0,3A***; 250 V DC = 0,6A***
MINIMUM VOLTAGE AND COURANT	• DC 5V 10mA
SHORTS CIRCUIT PROTECTION	• 10 A gG
CABLES ENTRY	• 4 x M20, M25**, 1/2" NPT**, 3/4" NPT** or other** (Specify)
TERMINAL	• From 22 to 14 AWG - from 0.50 mm ² to 2.5 mm ²
NET WEIGHT	• 4.2 Kg
LINE RESISTOR**	• 470 Ohms**
SIGNALLING LED**	• Green U= 24V DC I=10mA; Red U=24V DC I= 20mA

* = without runoff - ** = optional - *** resistive load - cable gland and blind plug not provided