



Extremely robust, the control stations XADW and XAEW are mainly used for the control.

They are equipped with control and signalling units having a very long operating time.

Consisting of push buttons, pilot lights, switches, potentiometers or ammeters, these control stations are equipped as standard with nickel-plated brass cable glands.

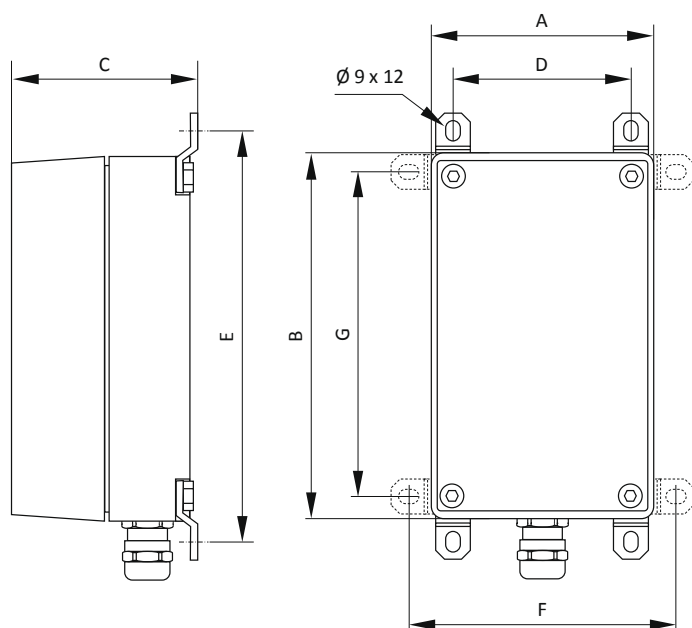
TECHNICAL DATA

Material	Aluminium
IP rating	IP65/66 according to EN/IEC 60529
Temperature range	-20°C ... +40°C or +60°C
Certificate	INERIS 03ATEX0145 for XADW INERIS 03ATEX0146 for XAEW
Marking	II 2 GD Ex d IIB T6 Gb for XADW Ex d IIC T6 Gb for XAEW Ex tb IIIC T85°C Db for XADW and XAEW
Features of the contact block	Ith = 10 A; Ui = 500 V AC Ue = 500 V; Ie = 1,2 A or Ue = 240 V; Ie = 3 A or Ue = 120 V; Ie = 6 A DC Ue = 500 V; Ie = 0,1 A or Ue = 250 V; Ie = 0,27 A or Ue = 125 V; Ie = 0,55 A
Mechanical endurance of the push buttons	Head: 5 million operations - Contact block: 1 million operations
Surface treatment	Painting RAL 7032 - Other colour available upon request
Cable entry	Fitted with one M20 nickel-plated brass cable gland

Product code for GAS group IIB		Product code for GAS group IIC		Actuator			
For unarmoured cable	For armoured cable	For unarmoured cable	For armoured cable	Description	Colour	Label	Contact
XADW12110P11IC	XADW12111P14I	XAEW12110P11IC	XAEW12111P14I	1 x Push button, spring return	● Black	Start	1NO
XADW12111P11IC	XADW12111P14I	XAEW12111P11IC	XAEW12111P14I	1 x Push button, spring return	● Red	Stop	1NC
XADW12116P11IC	XADW12116P14I	XAEW12116P11IC	XAEW12116P14I	1 x Mushroom, spring return	● Red	Stop	1NC
XADW12113P11IC	XADW12113P14I	XAEW12113P11IC	XAEW12113P14I	1 x Selector switch, 2 stay put	● Black	Start-Stop	1NC
XADW12221P11IC	XADW12221P14I	XAEW12221P11IC	XAEW12221P14I	1 x Push button, spring return	● Black	Start	1NO
				1 x Push button, spring return	● Red	Stop	1NC
XADW13231P11IC	XADW13231P14I	XAEW13231P11IC	XAEW13231P14I	1 x Push button, spring return	● Black	Forward	1NO
				1 x Push button, spring return	● Red	Stop	1NC
				1 x Push button, spring return	● Black	Reverse	1NO
XADW13236P11IC	XADW13236P14I	XAEW13236P11IC	XAEW13236P14I	1 x Push button, spring return	● Black	Start	1NO
				1 x Push button, spring return	● Red	Stop	1NC
				1 x Pilot light, 24 to 254 V	● Red	Blank	-
XADW1231P11IC	XADW1231P14I	XAEW1231P11IC	XAEW1231P14I	1 x Ammeter	-	-	-
XADW122321P11IC	XADW122321P14I	XAEW122321P11IC	XAEW122321P14I	1 x Ammeter	-	-	-
				1 x selector switch 2 positions	● Black	Start-Stop	1NO
XADW132321P11IC	XADW132321P14I	XAEW132321P11IC	XAEW132321P14I	1 x Ammeter	-	-	-
				1 x Push button, spring return	● Black	Start	1NO
				1 x Push button, spring return	● Red	Stop	1NC

Empty boxes for variable composition stations assembled by Ex-tech Solution

Group IIB T6	With circular gasket (for gas group and vapours IIB)		
	Entry M20	Positions	Product code
1 push button or 1 pilot light	1	A	XADW12101
	2	A - C	XADW12102
2 push buttons or pilot lights	1	A	XADW12201
	2	A - C	XADW12202
3 push buttons or pilot lights	1	A	XADW13201
	2	A - C	XADW13202
4 to 6 push buttons or pilot lights	1	A	XADW22301
	2	A - C	XADW22302
	2	L - M	XADW22303
Only for one ammeter Ø 48mm	1	A	XADW12301
	2	A - C	XADW12302
1 Ammeter Ø 48mm and 1 push button or pilot light	1	A	XADW122301
	2	A - C	XADW122302
1 Ammeter Ø 48mm and 2 push buttons or pilot lights	1	A	XADW132301
	2	A - C	XADW132302
1 Ammeter Ø 48mm and 4 push buttons or pilot lights	1	A	XADW224301
	2	A - C	XADW224302
	2	L - M	XADW224303
Group IIC T6	With circular gasket (for gas group and vapours IIC)		
	Entry M20	Positions	Product code
1 push button or 1 pilot light	1	A	XAEW12101
	2	A - C	XAEW12102
	2	L - M	XAEW12103
2 push buttons or pilot lights	1	A	XAEW12201
	2	A - C	XAEW12202
	2	L - M	XAEW12203
Only for one ammeter	1	A	XAEW12301
	2	A - C	XAEW12302
	2	L - M	XAEW12303



Any other configuration on request



Enclosure	A	B	C	D	E	F	G
XADW12...	106	150	89	80	175	130	125
XADW13...	106	190	89	80	215	130	165
XADW22...	130	215	89	105	240	155	190
XAEW...	130	130	89	105	160	160	105